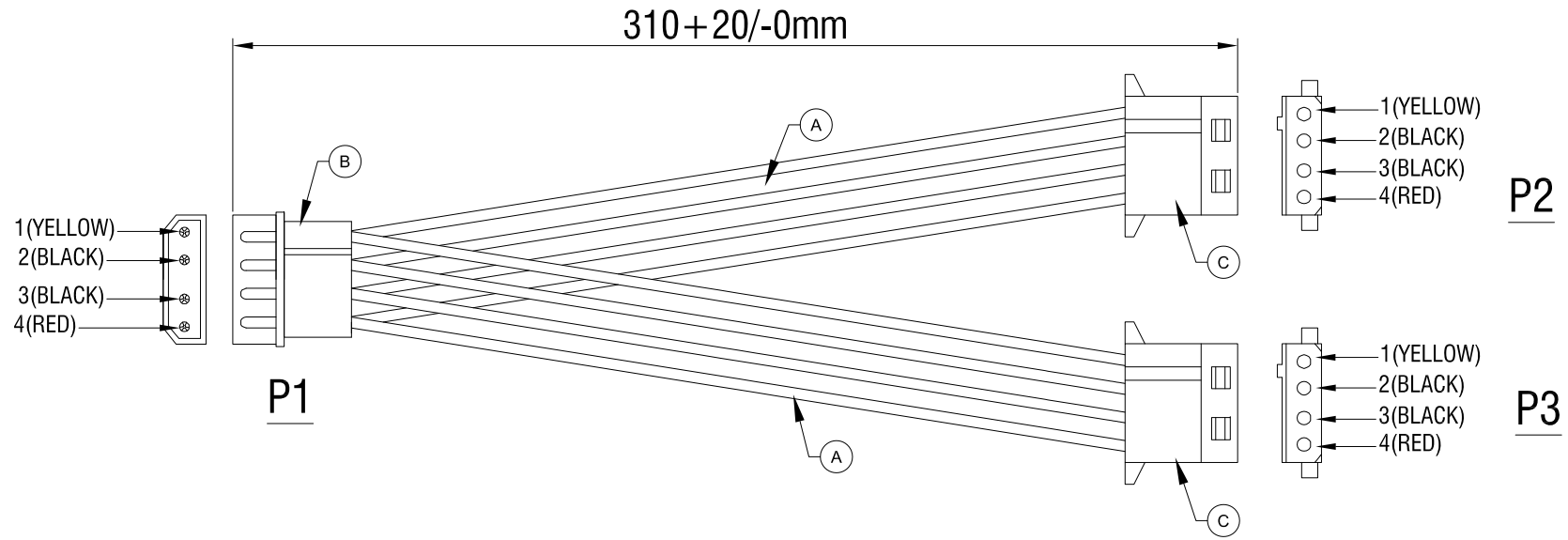


RoHS Compliant



WIRE ADDRESS

| P1 | | P2 | | P3 |
|----|--------|----|--------|----|
| 1 | Yellow | 1 | Yellow | 1 |
| 2 | Black | 2 | Black | 2 |
| 3 | Black | 3 | Black | 3 |
| 4 | Red | 4 | Red | 4 |

Electrical Test:

- 1.100% TEST OPEN SHORT MIS-WIRE.
- 2.CONTACT RESISTANCE:3Ω MAX.
- 3.INSULATION RESISTANCE:5MΩ MIN.
- 4.HI-POT:300V DC/10MS.

ROLINE Internal Y-Power Cable, 4-pin HDD to 2x 4-pin HDD

| NUMBER | PRODUCT SPECIFICATIONS | Quantity | Unit |
|--------|---|----------|------|
| C | BIG 4P FEMALE(Transparent White Housing) | 2 | PCS |
| B | BIG 4P MALE(Transparent White Housing) | 1 | PCS |
| A | UL1007,18# WIRE(YELLOW*2PCS/BLACK*4PCS/RED*2PCS)PVC JACKET. | | PCS |

| | | |
|----------|-------------|------------------|
| Item | 11.03.1005 | |
| Draw | <i>Kobe</i> | Date: 2022.09.13 |
| Approval | | |
| Duty | F16 | BOM.NO: |

SECOMP