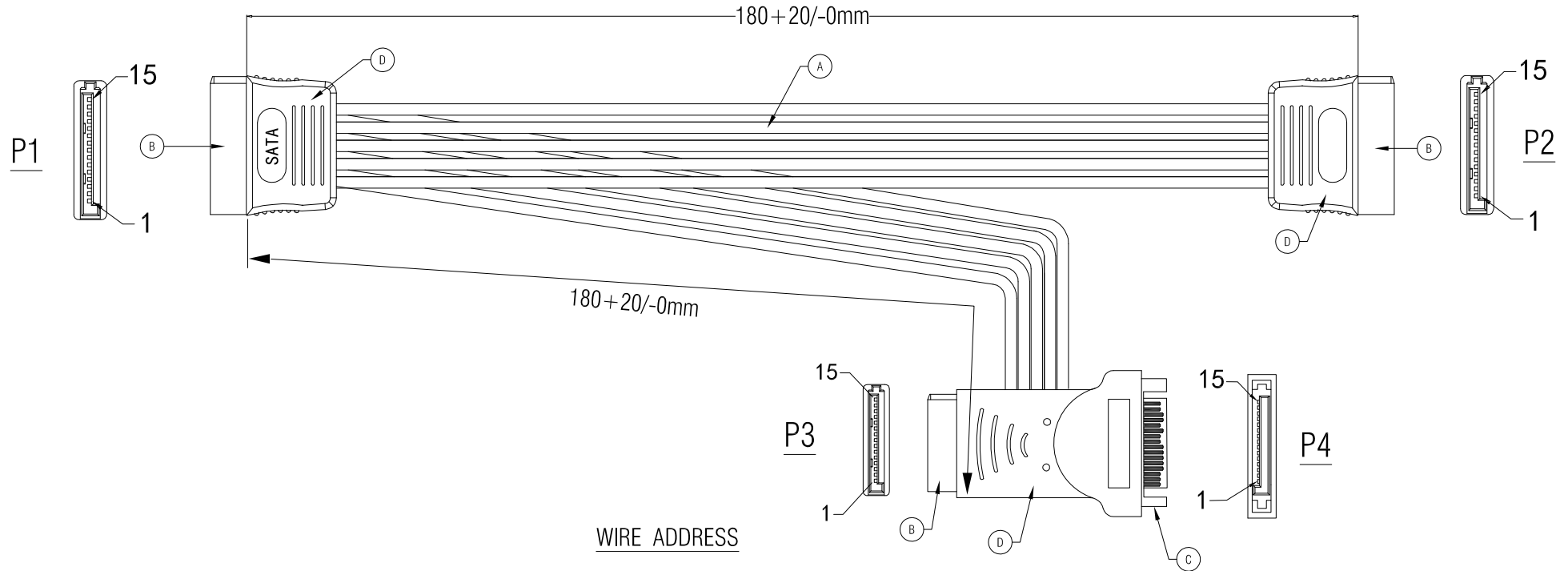


RoHS Compliant



WIRE ADDRESS

P1		P2		P3		P4	
1+2+3	Orange	1+2+3	Orange	1+2+3	Orange	1+2+3	
4+5+6	Black	4+5+6	Black	4+5+6	Black	4+5+6	
7+8+9	Red	7+8+9	Red	7+8+9	Red	7+8+9	
10+11+12	Black	10+11+12	Black	10+11+12	Black	10+11+12	
13+14+15	Yellow	13+14+15	Yellow	13+14+15	Yellow	13+14+15	

Electrical Test:

- 1.100% TEST OPEN SHORT MIS-WIRE.
- 2.CONTACT RESISTANCE:3Ω MAX.
- 3.INSULATION RESISTANCE:5MΩ MIN.
- 4.HI-POT:300V DC/10MS.

D	45P BLACK PVC		G	ROLINE Internal Y-Power Cable, SATA to 3x SATA		
C	SATA15P MALE(Black Insulator)	1	PCS	Item	11.03.1041	
B	SATA15P FEMALE(Black Insulator)	3	PCS	Draw	SAM Date: 2022.09.13	
A	UL1007,18#WIRE(YELLO*2PCS,BLACK*4PCS,RED*2PCS,ORANGE*2PCS)PVC JACKET.	1	PCS	Approval		
NUMBER	PRODUCT SPECIFICATIONS	Quantity	Unit	Maker	F16 BOM.NO:	
1	2	4		Sample NO.	Drawings of 1 (2) Proportion: 1:1 Unit(mm)	A4