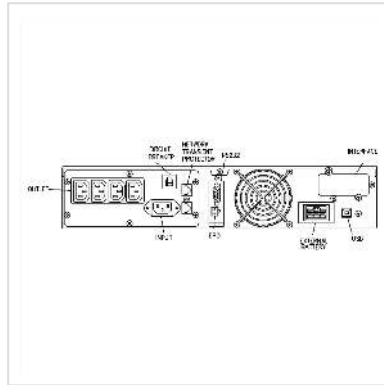


ROLINE ProSecure III 1500 RM2U - Online UPS, 19" Rack Version, black

Product No.	19.40.1070
Manufacturer	ROLINE
Manufacturer No.	19.40.1070
EAN (single piece)	7611990130504



The ROLINE ProSecure Series - for optimum power protection is a truly state of the art online double conversion UPS, ideal for all essential computer systems and servers. Protects against: power failure, power sag, power surge, under voltage, over voltage, switch transient, line noise, frequency variation, harmonic distortion.

Product features:

- Cold start function (DC power on)
- Lightning and surge protection
- Battery replacement warning
- Emergency Power Off function
- Battery remain time display
- LCD display front panel
- Power factor correction
- Support USB communication
- Multiple language LCD display
- On line output voltage selected
- Hot swappable battery by user
- True on-line technology provides all power protection
- Pure sine-wave output with less than 3% THD
- Fully digitized microprocessor controlled
- Short Circuit and overload protection
- Advanced

management (ABM)

- Automatic battery charge in UPS off mode

- Automatic diagnostics & battery check
- RS-232 communication port with monitoring software
- Network/fax/modem surge protection
- Extended back up time with battery pack
- Load segmentation receptacles controllable
- High efficiency mode selectable
- Fan speed auto control when loads varies
- UPS Management Software : Windows NT/ 2k / XP / 7 / 8 /Server 2003 / 2008 / 2012 x86/x64,
MAC OS X (Intel) 10.6.x, 10.7.x, 10.8.x Mountain Lion, 10.9.x Mavericks
MAC OS, LINUX
- Contents: UPS, cable set, UPS management software

Technical specifications

Manufacturer	ROLINE
Product group	UPS
Product type	UPS Online, Rackmount
Colour	black
Scope of delivery	UPS, Software, Cable Set
Classification (IEC 62040-3)	VFI-SS-111
UPS technology	Online
Power class	1000 ... 1900 VA
Output (VA/W)	1500 / 1350 @ Pf. 0,9
Efficiency	95 %
Backup time	3 min
Backup time full/half-load	3-5 / 9 min
Dimensions (HxWxD)	84 x 428 x 500 mm; 2 HE
Mounting form	Rackmount
Voltage (input)	160-230V
Voltage (output)	230V
Output voltage regulation	± 2%
Frequency	50Hz ± 3%

Connector type (input)	cold connector IEC 320 C14
Outputs	4
Connector type (output)	4x cold connector IEC 320 C13
Phase in/output	230V/230V / 50Hz
Over current protection	EMI,- RFI-Filter
Max. quantity of delay expansion units	2
Delay expansion unit	2
Slots for adapter card	1
Slot for adapter card	1
Interface	RS232, USB
RS-232 Interface	Yes
USB 2.0 Interface	Yes
Hot swap batteries	Yes, front side
Bypass	Automatic + manual
Additional over current protector	No
Activity	Display
Activity LED	5
Activity Display	LCD
incl.Management Software	Windows
Internal cooling	Active, fan
Ambient temperature	0-40°C
Operating temperature min.	0 °C
Operating temperature max.	40 °C
Height	84 mm
Width	428 mm
Depth	500 mm

Weight	18 kg
--------	-------

Height of packaging (single piece)	200 mm
---------------------------------------	--------

Width of packaging (single piece)	550 mm
--------------------------------------	--------

Depth of packaging (single piece)	620 mm
--------------------------------------	--------

Package weight (single piece)	22 kg
----------------------------------	-------

Back up time

Power rating (VA / W)

with 0 / 1 / 2 Battery pack (min)