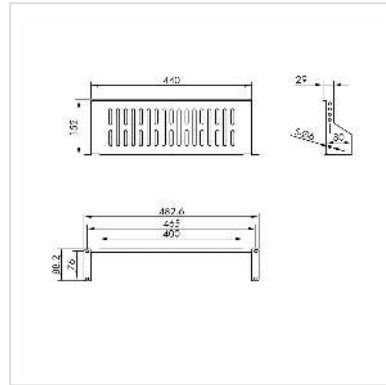


# VALUE 19"-Fixed Shelf, 485 x 150mm, max. 15 kg, 2U, black

<b>Product No.</b>	26.99.0404
<b>Manufacturer</b>	VALUE
<b>Manufacturer No.</b>	26.99.0404
<b>EAN (single piece)</b>	7630049627109



## Mounting rack for installation in 19-inch cabinets and wall-mounted enclosures

- 19" fixed shelf with maximum load capacity of 15 kg
- Suitable for cabinets and wall-mounted enclosures from 400 mm depth

### Technical specifications

Manufacturer	VALUE
Product group	19"-/10"-Equipment rack
Product type	19"-tool carriers
Colour	black
Extractable	no
19" shelves required for mounting	2
Footprint (WxD)	440 x 150 mm
Max. load capacity	15 kg
Required mounting height	2U
Height	88 mm
Width	485 mm

Depth	150 mm
Weight	920 g
Height of packaging (single piece)	100 mm
Width of packaging (single piece)	160 mm
Depth of packaging (single piece)	500 mm
Package weight (single piece)	1 kg